

ID-F Series – AC Powered



SPECIFICATIONS

Inch/Metric

ISO/JIS type (Ø8 mm stem, M2.5 x 0.45 contact point)
 ASME/ANSI /AGD type (Ø3/8" stem, 4-48 UNF contact point)

Order No. *1	Range	Resolution	Maximum permissible error MPE ^{*2}			Measuring force MPL (N)	Interface	Mass (g)
			MPE _E ^{*3}	Hysteresis MPE _H	Repeatability MPE _R			
543-852A	1 in/25.4 mm	0.005/0.001/0.01 mm 0.00002/0.00005/0.0001/0.0005/0.001 in (selectable)	±0.0001 in/ 0.0025 mm	0.00008 in/ 0.002 mm	0.00008 in/ 0.002 mm	1.8 or less	d1/d2/S1	240
543-854A	2 in/50.8 mm		±0.00016 in/ 0.004 mm			2.3 or less	d1/d2/S1	330
543-858A			±0.00012 in/ 0.003 mm			2.3 or less	d1/d2/S1	330

*1 To denote your AC power cable add the following suffixes to the order No.: A for UL/CSA, D for CEE, DC for CCC, E for BS, K for KC, No suffix is required for JIS/100 V

*2 These values apply at 20 °C. *3 Error of indication for the total measuring range

Metric

Order No. *1	Range (mm)	Resolution (mm)	Maximum permissible error MPE ^{*2} (mm)			Measuring force MPL (N)	Interface	Mass (g)
			MPE _E ^{*3}	Hysteresis MPE _H	Repeatability MPE _R			
543-851A	25.4	0.0005/0.001/0.01 (selectable)	0.0025	0.002	0.002	1.8 or less	d1/d2/S1	240
543-853A	50.8		0.004			2.3 or less	d1/d2/S1	330
543-857A	50.7		0.003			2.3 or less	d1/d2/S1	330

Common Specifications

Display	7 segments height: 11.0 mm, Analog bar (±20 scale)	Response speed	No limit
Display rotation	330 °	Errors, Alarms	Various setting errors, Sensor error, Display overflow, etc.
Protection level*1	Equivalent to IP-40	Output	d1, d2
Possible plunger direction	Up to direction in which plunger is horizontal	I/O	S1
Power supply	AC adapter (DC 5.9 V)	Operating temperature	0 to 40 °C
Detection method	Electrostatic capacitance type absolute linear encoder	Storage temperature	-10 to 60 °C

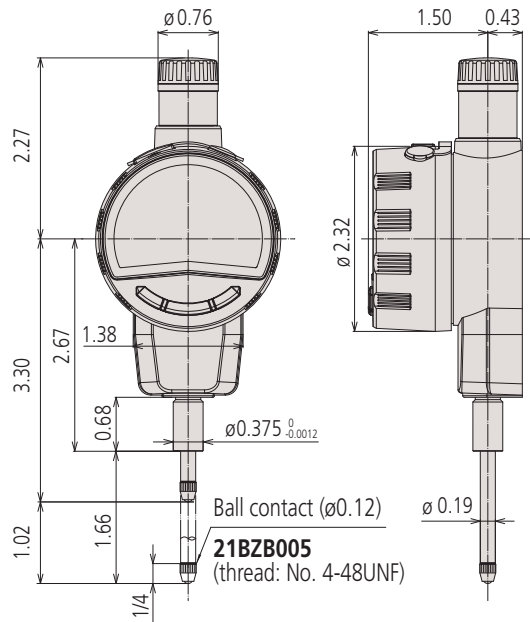
*1: Protection level (IP=International Protection) is based on IEC 60529/DIN40050 Part 1/JIS D0207, C0920. The levels shown are valid for factory conditions only.

DIMENSIONS

1"/25.4 mm range models

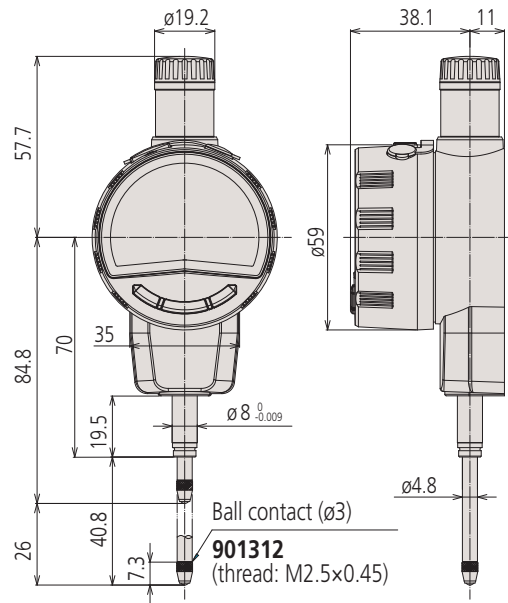
ASME/ANSI/AGD Type

Unit: in



ISO/JIS Type

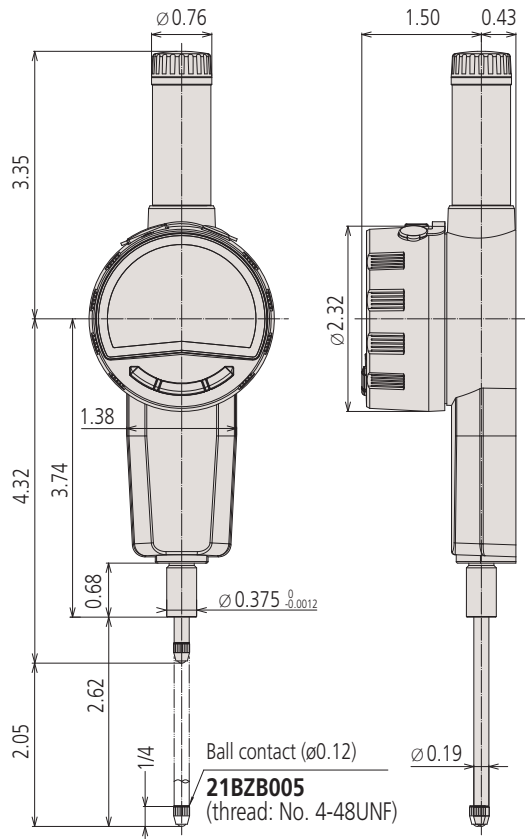
Unit: mm
25.4mm=1"



2"/50.8 mm range models

ASME/ANSI/AGD Type

Unit: in



ISO/JIS Type

Unit: mm
25.4mm=1"

