

Application example using comparator stand



Comparator stand
215-505-10

Optional Accessories

Order No.	Type	Description
264-020	—	USB Input Tool Series USB Keyboard Signal Conversion Type IT-020U
936937	D	Connection cable (1 m)
965014	D	Connection cable (2 m)
06AFM380D	D	USB Input Tool Direct (2 m)
02AZD730G	IP67	U-WAVE-T
02AZD880G	Buzzer	U-WAVE-T
02AZD790D	D	Connection cable for U-WAVE-T (160 mm)
02AZE140D	D	Connection cable for U-WAVE-T For foot switch
02AZD810D	—	U-WAVE-R
02AZE200	—	U-WAVE-T mounting bracket

- Remote controller: **21EZA099**
- Lifting cable: **21JZA295** (stroke 30 mm)
- With auto-stop function:
21JZA301 (overall length 300 mm)
- Lifting knob: **21EZA101**



Lifting knob

- RS-232C Connection cable (2 m): **21EAA131**
- Lug-on-center back:
101040 (ISO/JIS type)
101306 (ASME/ANSI/AGD type)
- Contact points for Mitutoyo's Digimatic indicators (optional)
Refer to pages F-63 to F-68 for details.
- Granite comparator stands (optional)
Refer to page F-101 for details.
- Comparator stands (optional)
Refer to page F-102 for details.

Digimatic Indicator ID-H SERIES 543 — High Accuracy and High Functionality Type

- This digital indicator offers the excellent accuracy, functionality and high resolution expected with top-of-the-line indicators.
- Take advantage of its high accuracy backed up by 20 μinch / 0.5 μm resolution, remote control functionality via a handheld controller (or an RS-232C interface) and easy runout measurements with the well-established analog bar display.
- The maximum, minimum, or runout value (MAX - MIN) can be measured.
- An advanced, remote control system can be implemented with the built-in RS-232C interface and a PC.
- With the optional remote controller, operations such as zero-setting and presetting can be made without touching the indicator body, thereby enabling more stable and high accuracy measurement.



Remote controller (optional)



543-564A

SPECIFICATIONS

Inch / Metric		ASME/ANSI/AGD Type					
Order No.	Range	Resolution	Accuracy (in)	Hysteresis	Repeatability	Measuring force (N)	Mass (g)
543-562A	1.2 in/ 30.48 mm	0.00002/ 0.00005/ 0.0001 in, 0.0005/ 0.001 mm (selectable)	±0.00006	0.00006	0.00004	2.0 or less	300
543-564A	2.4 in/ 60.96 mm		±0.00010	0.00010		2.5 or less	

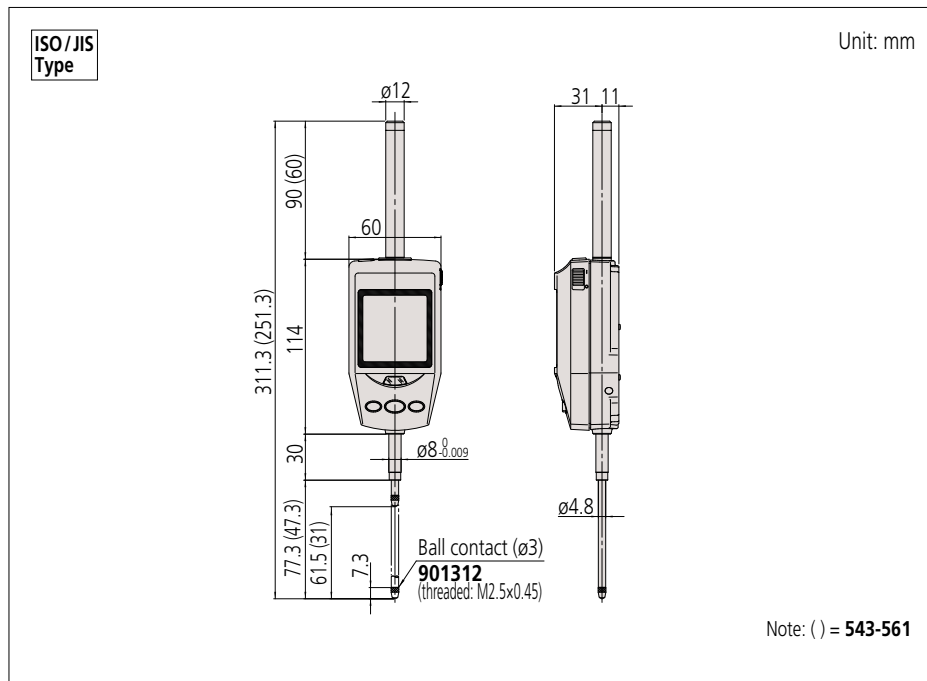
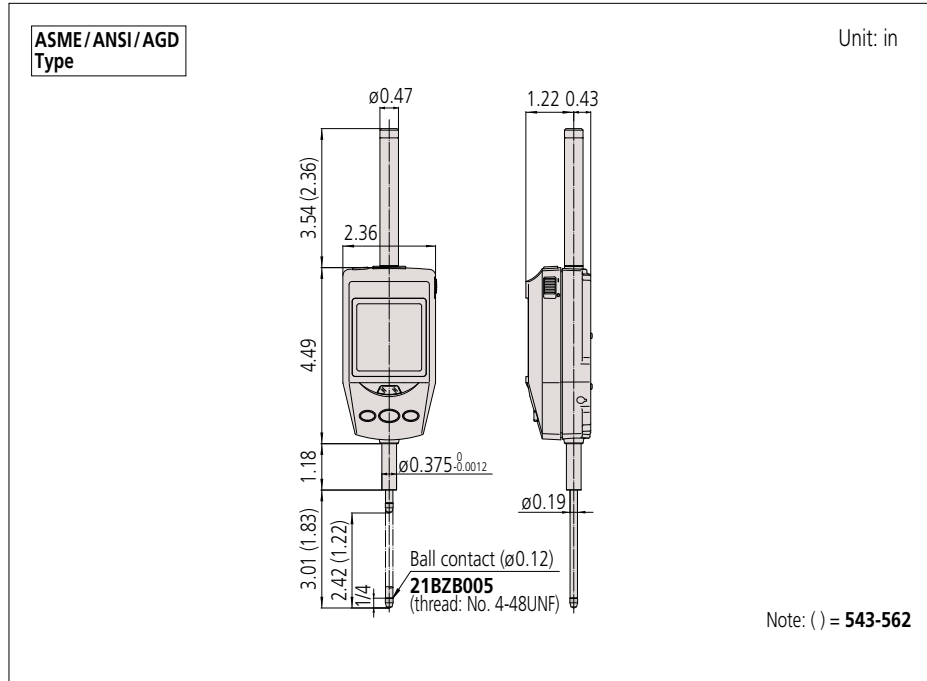
Metric		ISO/JIS Type					
Order No.	Range (mm)	Resolution (mm)	Accuracy (mm)	Hysteresis H_{MPE}	Repeatability R_{MPE}	Measuring force (N)	Mass (g)
543-561A	30.48	0.0005/ 0.001 (selectable)	0.0015	0.0015	0.001	2.0 or less	290
543-563A	60.96		0.0025	0.0025		2.5 or less	305

- Power source: 5.9 V DC (via AC adapter) **06AGZ369A**

Indicators

Digimatic Indicator ID-H SERIES 543 — High Accuracy and High Functionality Type

DIMENSIONS



Need Calibration?