

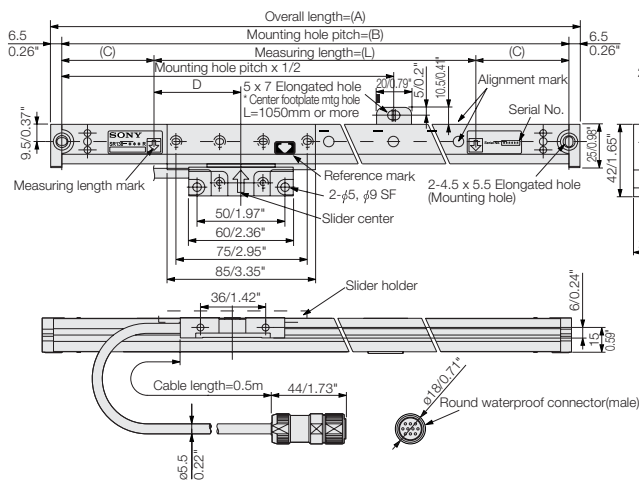
The GB-ER series combines Sony's classic Magnescale technology and legendary durability with a built-in reference point.

- Excellent durability against workshop conditions - resistant to oil, dirt, shock and vibration.
- Compact design for a space-saving installation.
- Accuracy: (5+5L/1000) μ m
- Resolution: 0.5 μ m
- Simple structure should be conducive to long life.

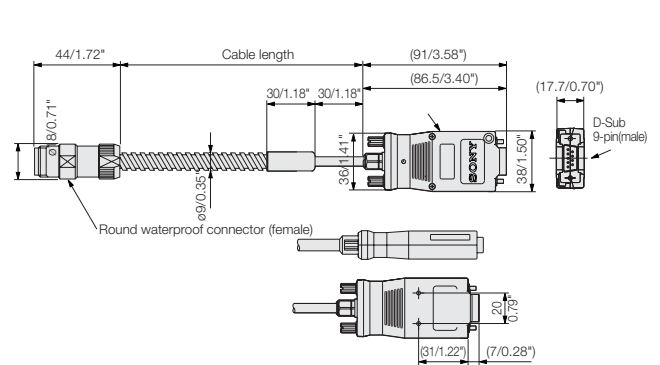


Dimensions

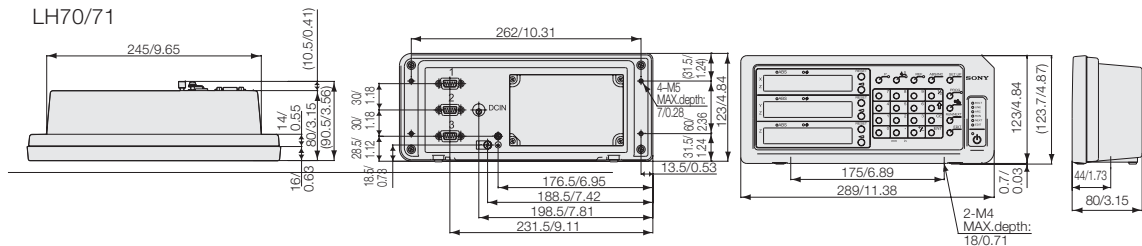
SR138R (Model name of the scale itself)



CH04 (Name of accessory cable model)



LH70/71



Unit : mm/inch

Specifications

Model		GB-ER
Measuring length		50/100/150/200/250/300/350/400/450/500/550/600/650/750/850/950/1050/1250/1400/1600/1850/2050/2200 mm
Scale length	Overall length	ML + 104mm (50 to 200mm) ML + 120mm (250 to 2200mm)
	Max.travel	ML + 14mm (50 to 200mm) ML + 30mm (250 to 2200mm)
	With or without Centerfootplate	Without (50 to 950mm) With (1050 to 2200mm)
Accuracy at 20°C		(5 + 5L / 1000) μ m
Reference point		Standard:Center point, User-selected point (A/B quadrature)
Mounting parallelism		\pm 0.1mm
Expansion coefficient		(11 \pm 1) \times 10 ⁻⁶ /°C
Operating temperature		0 to 40°C
Storage temperature		-20 to 50°C
Cable length		3m
Protective design grade		Scale:IP65 Interface unit:IP30
Input/Output signal	Output signal	A/B/Z quadrature
	Power supply	DC + 5V \pm 5%
	Connector	D-sub 9 pin
Resolution		0.5 μ m
Response speed	Scale signal	60m/min
	Reference signal	60m/min
Power consumption		Max. 200mA

* Specifications and appearance are subject to should be charge with prior notice.

ML:Measuring length[mm]